
**KIT PART NUMBER 1670051
INSTRUCTIONS FOR INSTALLING
TRAY RAIL GUIDES WITH 1.25" RISE**

CHECK THE PARTS RECEIVED IN THE KIT WITH THE PARTS LIST IN THESE INSTRUCTIONS. IF ANY PARTS ARE MISSING, CONTACT THE NATIONAL VENDORS PARTS DEPARTMENT IMMEDIATELY.

Read these instructions carefully before installing the kit.
Keep these instructions for part numbers and for future reference.

This kit contains the following :

| PART NUMBER | DESCRIPTION | QUANTITY |
|-------------|--|----------|
| 1671039 | TRAY - GUIDE RAIL ASSEMBLY - LH 1.25" RISE | 1 |
| 1671040 | TRAY GUIDE RAIL ASSEMBLY - RH - W/SHIELD | 1 |

Obstructions at your location may not allow the door of your SureVend equipped snack machine (models 167, 168, 764, 765) to open far enough to allow the bottom tray to clear the SureVend components when it is extended. In that case, replace the bottom tray rails with the rails included in this kit.

1. Disconnect the wiring harness from the bottom snack tray. Remove the bottom tray from the machine.
2. Remove the bottom tray rails. **SAVE ALL SCREWS.**
3. Refer to Figure 1 on the next page. Insert the new tray rails into the bottom slots.
4. Using the hole in the front of the new tray rails as a template, center punch and drill a 9/64" hole into the front mounting channels.
5. Secure the new tray rails to the cabinet with the screws you saved from step 2.
6. Reinstall the bottom snack tray and connect the harness.

NOTE

You may need to readjust the position of the other snack trays to aid in the installation of the bottom tray.

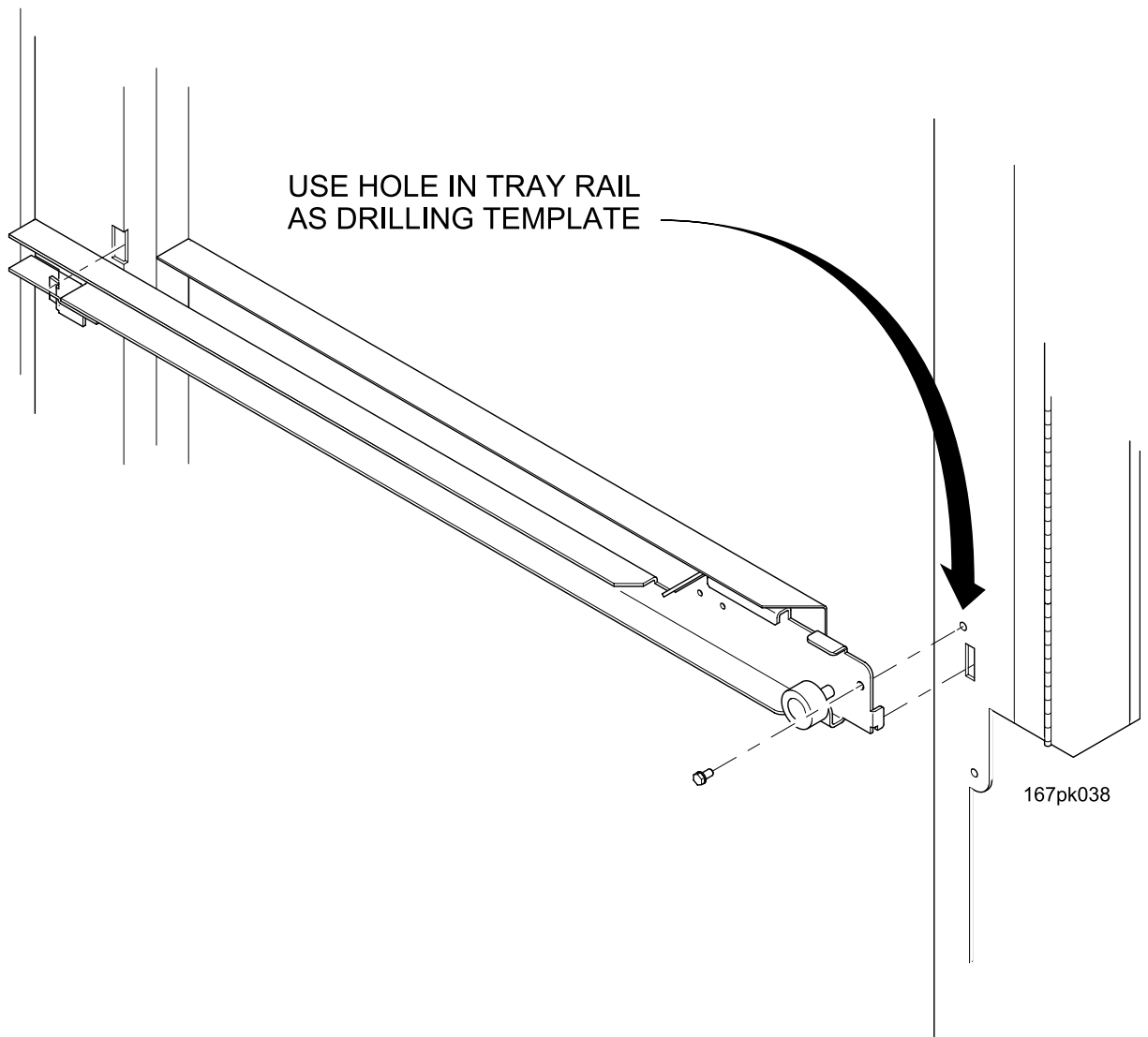


Figure 1